



Steel Adj. Pinion Mount Assemblies

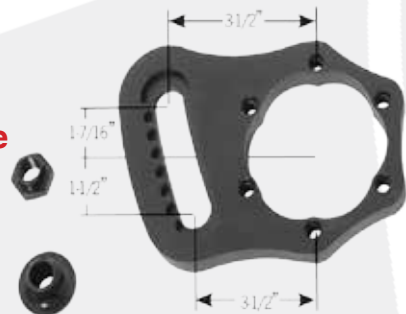


Steel Adjustable
#100 601-12

Keyser Manufacturing is now offering three Steel Adjustable Pinion Mount Assemblies. All mount assemblies are constructed out of Steel Alloy and are **IMCA Approved**.

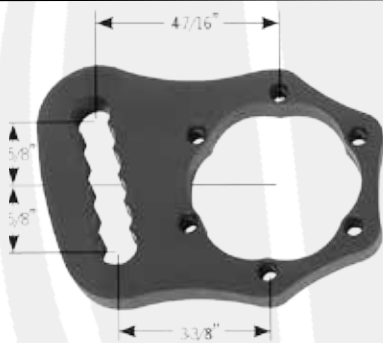
The Steel Adj. (#100 601-12) allows for easy adjustment of the pinion side of the panhard bar with a bracket that is marked on the back to keep track of adjustments.

Climbing Adjustable
#100 601-13



The Climbing Adj. (#100 601-13) has a built in radius to allow J-bar movement without changing length. It includes the seal, o-ring, adjuster bolt and spacer.

Low Cost Adjustable
#100 601-14



The Low Cost Adj. (#100 601-14) has a single sided pinion plate that allows for adjustment both up and down from the center of the pinion with overlapping holes for more precise adjustments.

For more information, call a Keyser Manufacturing sales associate:

1-800-472-2464

In Print, Online, Or On The Phone



Call Or Go Online To Get Our New
2015 CATALOG!

