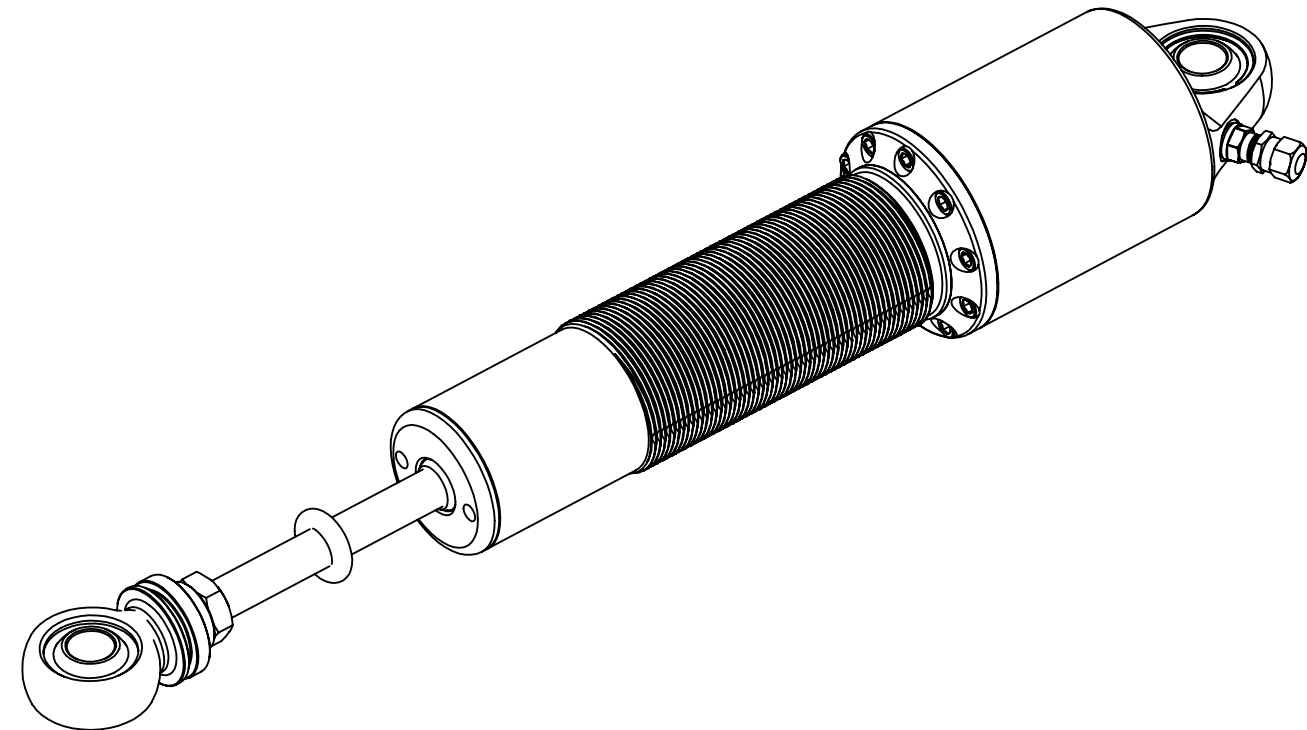


WEIGHT 1.893 LBS		SURFACE AREA 343.178 IN.²		PART DESCRIPTION SMALL BODY NON-ADJUSTABLE SHOCK	
BREAK EDGES .010 +/- 0.005" X 45°, FILLET RADII 0.010" +/- 0.005" TOLERANCES (UOS): .XX +/- .01", .XXX +/- .003", ANG +/- 0.5°		MATERIAL RELATIVE TO COMPONENTS			
ALL SURFACE FINISHES TO BE Ra 64 OR BETTER UNLESS OTHERWISE SPECIFIED.		DWG. NO. 310 442XX		DRAWN BY EKM	
THIS DRAWING, INFORMATION, AND TECHNICAL DATA CONTAINED WITHIN ARE THE EXCLUSIVE PROPERTY OF INTEGRA SHOCKS AND SHALL BE RETURNED UPON REQUEST. THIS DRAWING IS NOT TO BE REPRODUCED IN WHOLE OR IN PART, NOR SHALL ANY INFORMATION OR TECHNICAL DATA BE SUPPLIED, IN ANY FORM, TO ANYONE ELSE WITHOUT THE EXPRESS WRITTEN CONSENT OF INTEGRA SHOCKS.		SCALE 2:7		APPROVAL KWK	
		SIZE B	SHEET 2 OF 2		REV. A



REVISIONS					
ZONE	REV.	DESCRIPTION	DATE	APPROVED	EPCN NO.
	A	ASSEMBLY CREATED	5/14/2019	KWK	

ITEM NO.	PART NUMBER	PART DESCRIPTION	QTY.
1	310 30402	STD. ROD END ASSEMBLY	1
2	310 4402X	PRESSURE TUBE - SB	1
3	310 30337-2	TANK VALVE CAP	1
4	310 30338	HEX JAM NUT	1
5		PISTON OF CHOICE - SB	1
6	310 44020-50	SMALL BODY MONOTUBE END CAP ASSEMBLY	1
7	310 44050	LOCKING RING - SB	1
8	310 44051-10	BASE VALVE ASSEMBLY - SB	1
9	310 44052	ROD GUIDE ASSEMBLY - SB	1
10	310 44053	POPPET, ADJUSTER - SB	1
11	310 44057	BLADDER - SB	1
12	310 44062	TRAVEL LIMITER - SB	1
13	310 44063	NUT, PISTON - SB	1
14	310 44069	3/8" SAE FLAT WASHER YZ GR9	1
15	310 44071	TRAVEL MARKER - SB	1
16	310 44073	RETAINING RING - SB	1
17	310 44074	WAVE SPRING - SB	1
18	310 44077	PISTON BAND - SB	1
19	310 44078	O-RING ENGERGIZER, PISTON BAND	1
20	310 44082	RETAINING RING PISTON ROD - SB	1
21	310 44092	8-32 x 3/8 SHCS SS - SB	10
22	310 4411X	PISTON ROD, NON-ADJUSTABLE - SB	1
23		COMPRESSION VALVE DISC STACK	1
24	310 TW594020	TORQUE WASHER	4
25		REBOUND VALVE DISC STACK	1



WEIGHT	SURFACE AREA	PART DESCRIPTION			
1.893 LBS	343.178 IN. ²	SMALL BODY NON-ADJUSTABLE SHOCK			
BREAK EDGES .010 +/- 0.005" X 45°, FILLET RADII 0.010" +/- 0.005" TOLERANCES (UOS): .XX +/- .01", .XXX +/- .003", ANG +/- 0.5°		MATERIAL			
ALL SURFACE FINISHES TO BE Ra 64 OR BETTER UNLESS OTHERWISE SPECIFIED.		RELATIVE TO COMPONENTS			
THIS DRAWING, INFORMATION, AND TECHNICAL DATA CONTAINED WITHIN ARE THE EXCLUSIVE PROPERTY OF INTEGRA SHOCKS AND SHALL BE RETURNED UPON REQUEST. THIS DRAWING IS NOT TO BE REPRODUCED IN WHOLE OR IN PART, NOR SHALL ANY INFORMATION OR TECHNICAL DATA BE SUPPLIED, IN ANY FORM, TO ANYONE ELSE WITHOUT THE EXPRESS WRITTEN CONSENT OF INTEGRA SHOCKS.		DWG. NO.	DRAWN BY	APPROVAL	
		310 442XX	EKM	KWK	
SIZE	SCALE	SHEET	REV.		
B	1:2	1 OF 2	A		

5

4

3

2

1

5

4

3

2

1

E

E

D

D

C

C

B

B

A

A