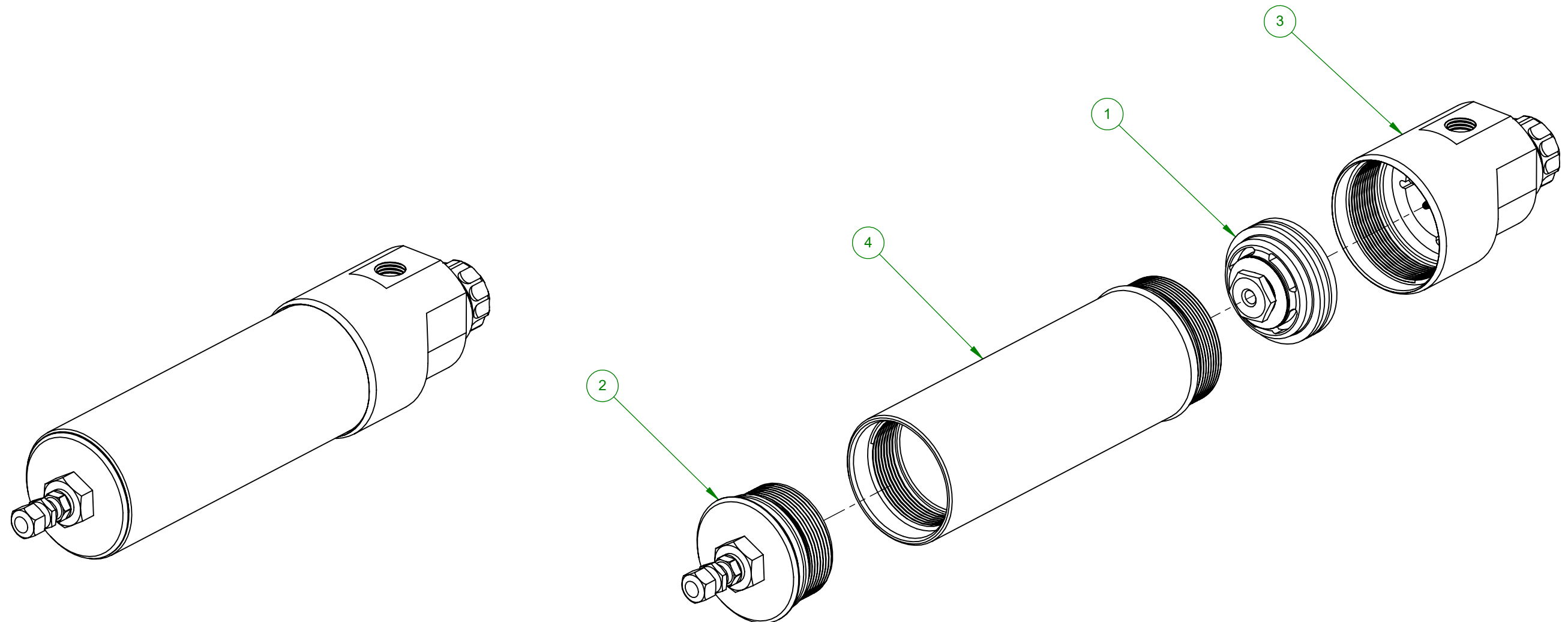




REVISIONS					
ZONE	REV.	DESCRIPTION	DATE	APPROVED	EPCN NO.
	A	ASSEMBLY CREATED	3/29/2019	KWK	



ITEM NO.	PART NUMBER	PART DESCRIPTION	QTY.
1	310 30346-70	NEEDLE, CANISTER BASE VALVE	1
2	310 30364-50	END CAP ASSEMBLY WITH N2 VALVE	1
3	310 30366-60	CANISTER, NEEDLE CAP ASSEMBLY	1
4	310 30368-50	CANISTER TUBE ASSEMBLY	1

WEIGHT (lbs)	1.014	PART DESCRIPTION		
S.A. (in <sup>2</sup> )	168.748	NEEDLE CANISTER ASSEMBLY - NO HOSE		
BREAK EDGES .010 +/- 0.005" X 45°, FILLET RADII 0.010" +/- 0.005" TOLERANCES (UOS): .XX +/- .01", .XXX +/- .003", ANG +/- 0.5°		MATERIAL		
ALL SURFACE FINISHES TO BE Ra 64 OR BETTER UNLESS OTHERWISE SPECIFIED.		RELATIVE TO COMPONENTS		
THIS DRAWING, INFORMATION, AND TECHNICAL DATA CONTAINED WITHIN ARE THE EXCLUSIVE PROPERTY OF INTEGRA SHOCKS AND SHALL BE RETURNED UPON REQUEST. THIS DRAWING IS NOT TO BE REPRODUCED IN WHOLE OR IN PART, NOR SHALL ANY INFORMATION OR TECHNICAL DATA BE SUPPLIED, IN ANY FORM, TO ANYONE ELSE WITHOUT THE EXPRESS WRITTEN CONSENT OF INTEGRA SHOCKS.		DWG. NO	DRAWN BY	APPROVAL
		310 31000-10	EKM	KWK
SIZE	SCALE	SHEET		REV
B	2:3	1 OF 1		A

5

4

3

2

1

E

D

C

B

A

E

D

C

B

A