



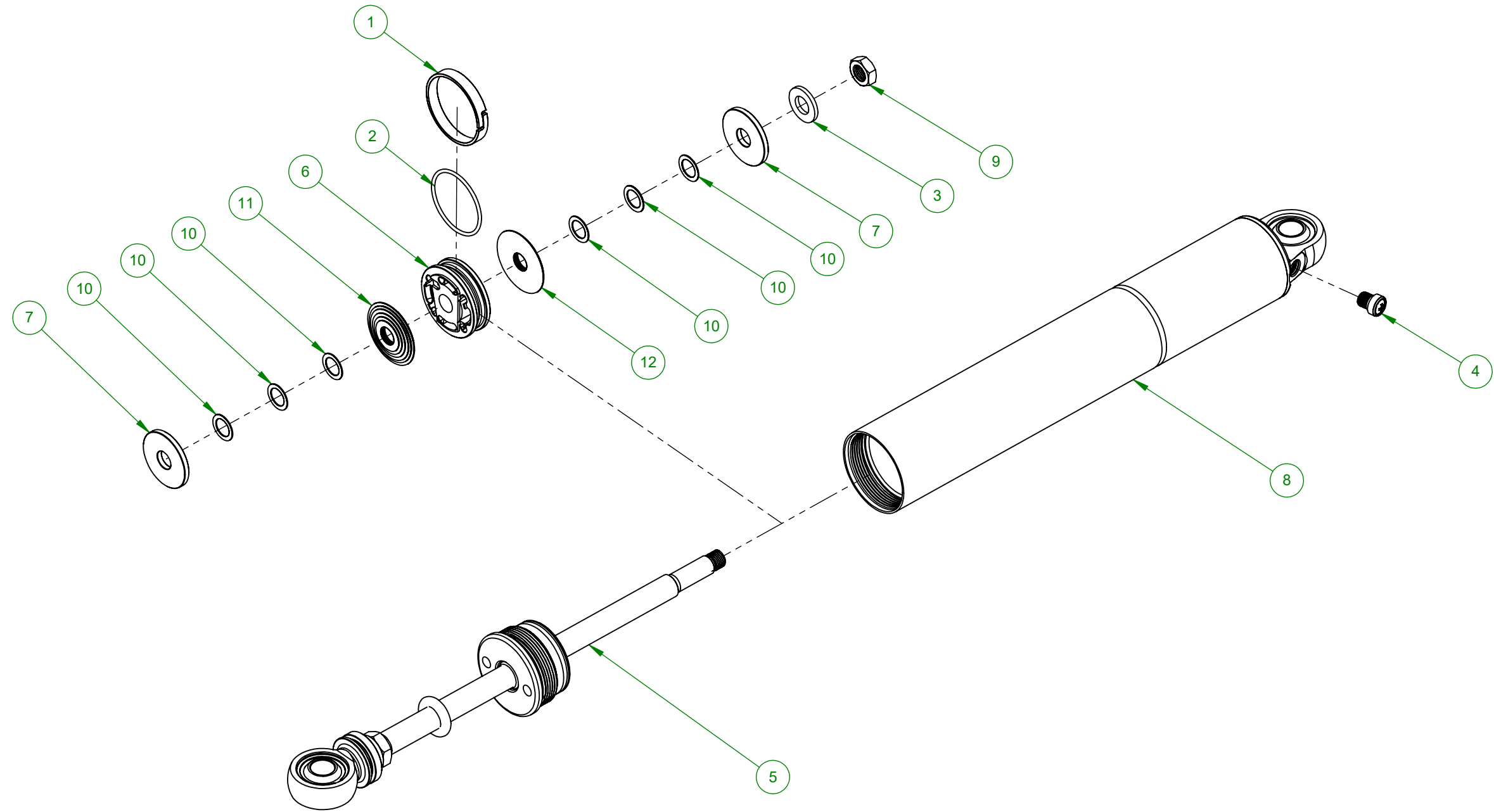
5

4

3

2

1



WEIGHT 3.514 LBS	SURFACE AREA 278.545 IN.²	PART DESCRIPTION STEEL AVENGER SHOCK, NO SCHRADER VALVE		
BREAK EDGES .010 +/- 0.005" X 45°, FILLET RADII 0.010" +/- 0.005" TOLERANCES (UOS): .XX +/- .01", .XXX +/- .003", ANG +/- 0.5°		MATERIAL RELATIVE TO COMPONENTS		
ALL SURFACE FINISHES TO BE Ra 64 OR BETTER UNLESS OTHERWISE SPECIFIED.		DWG. NO. 310 451XXSNSV	DRAWN BY EKM	APPROVAL KWK
THIS DRAWING, INFORMATION, AND TECHNICAL DATA CONTAINED WITHIN ARE THE EXCLUSIVE PROPERTY OF INTEGRA SHOCKS AND SHALL BE RETURNED UPON REQUEST. THIS DRAWING IS NOT TO BE REPRODUCED IN WHOLE OR IN PART, NOR SHALL ANY INFORMATION OR TECHNICAL DATA BE SUPPLIED, IN ANY FORM, TO ANYONE ELSE WITHOUT THE EXPRESS WRITTEN CONSENT OF INTEGRA SHOCKS.		SIZE B	SCALE 2:5	SHEET 2 OF 2
				REV. A

5

4

3

2

1

E

E

D

D

C

C

B

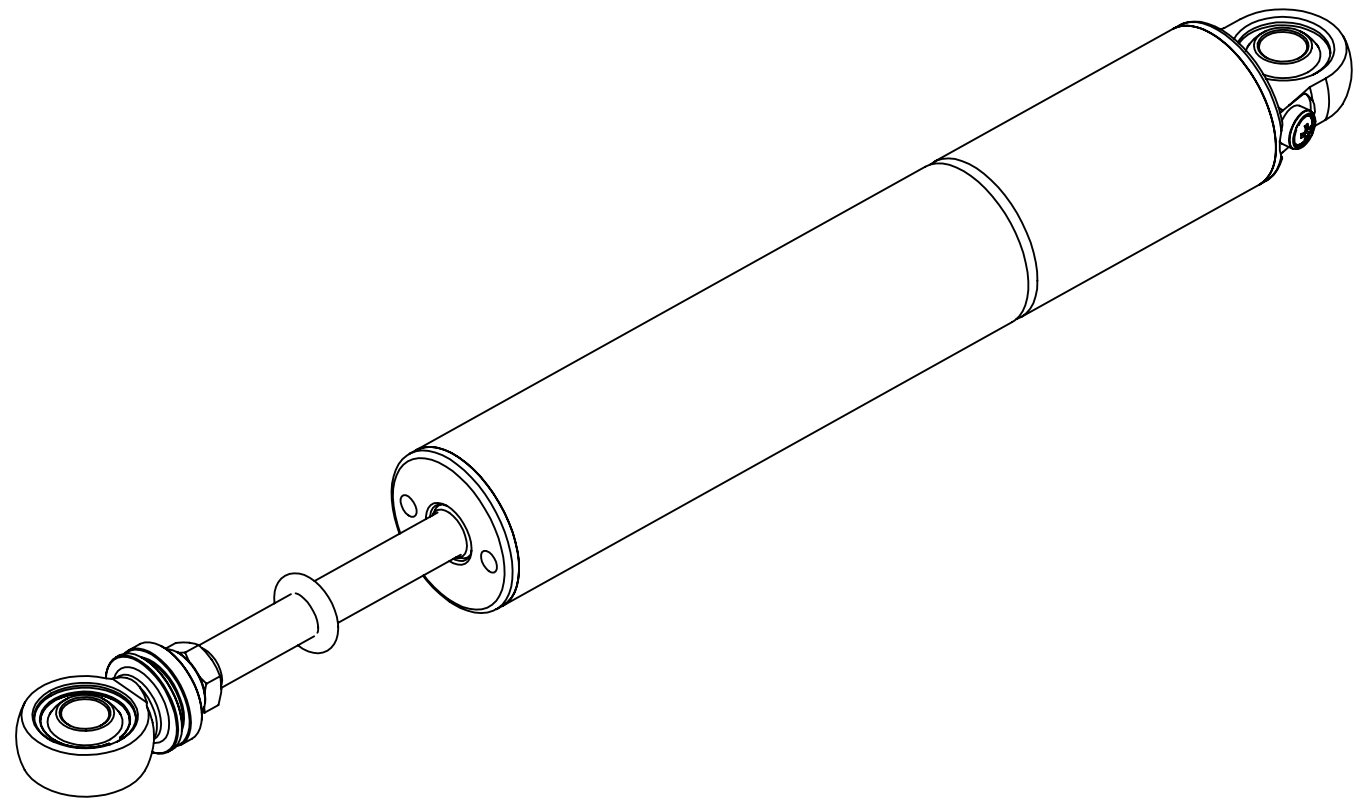
B

A

A



REVISIONS					
ZONE	REV.	DESCRIPTION	DATE	APPROVED	EPCN NO.
	A	ASSEMBLY CREATED	6/4/2019	KWK	



ITEM NO.	PART NUMBER	PART DESCRIPTION	QTY.
1	310 30214	PISTON BAND	1
2	310 30215	PISTON O-RING	1
3	310 30234	M10 WASHER, POST	1
4	310 45010-50	NSV FILL PLUG ASSEMBLY	1
5	310 3031X-10S	STANDARD STEEL SHAFT ASSEMBLY	1
6		PISTON OF CHOICE	1
7	310 30396	TRAVEL LIMITER - DISC	2
8	310 4501X-10	STEEL AVENGER TUBE ASSEMBLY	1
9	310 60013	3/8 - 24 JAM NUT GR8 YZ	1
10	310 TW594020	TORQUE WASHER	6
11		COMPRESSION VALVE DISC STACK	1
12		REBOUND VALVE DISC STACK	1

WEIGHT	SURFACE AREA	PART DESCRIPTION			
3.514 LBS	278.545 IN. ²	STEEL AVENGER SHOCK, NO SCHRADER VALVE			
BREAK EDGES .010 +/- 0.005" X 45°, FILLET RADII 0.010" +/- 0.005" TOLERANCES (UOS): .XX +/- .01", .XXX +/- .003", ANG +/- 0.5°		MATERIAL			
ALL SURFACE FINISHES TO BE Ra 64 OR BETTER UNLESS OTHERWISE SPECIFIED.		RELATIVE TO COMPONENTS			
THIS DRAWING, INFORMATION, AND TECHNICAL DATA CONTAINED WITHIN ARE THE EXCLUSIVE PROPERTY OF INTEGRA SHOCKS AND SHALL BE RETURNED UPON REQUEST. THIS DRAWING IS NOT TO BE REPRODUCED IN WHOLE OR IN PART, NOR SHALL ANY INFORMATION OR TECHNICAL DATA BE SUPPLIED, IN ANY FORM, TO ANYONE ELSE WITHOUT THE EXPRESS WRITTEN CONSENT OF INTEGRA SHOCKS.		DWG. NO.	DRAWN BY	APPROVAL	
		310 451XXSNSV	EKM	KWK	
SIZE	SCALE	SHEET	REV.		
B	1:2	1 OF 2	A		