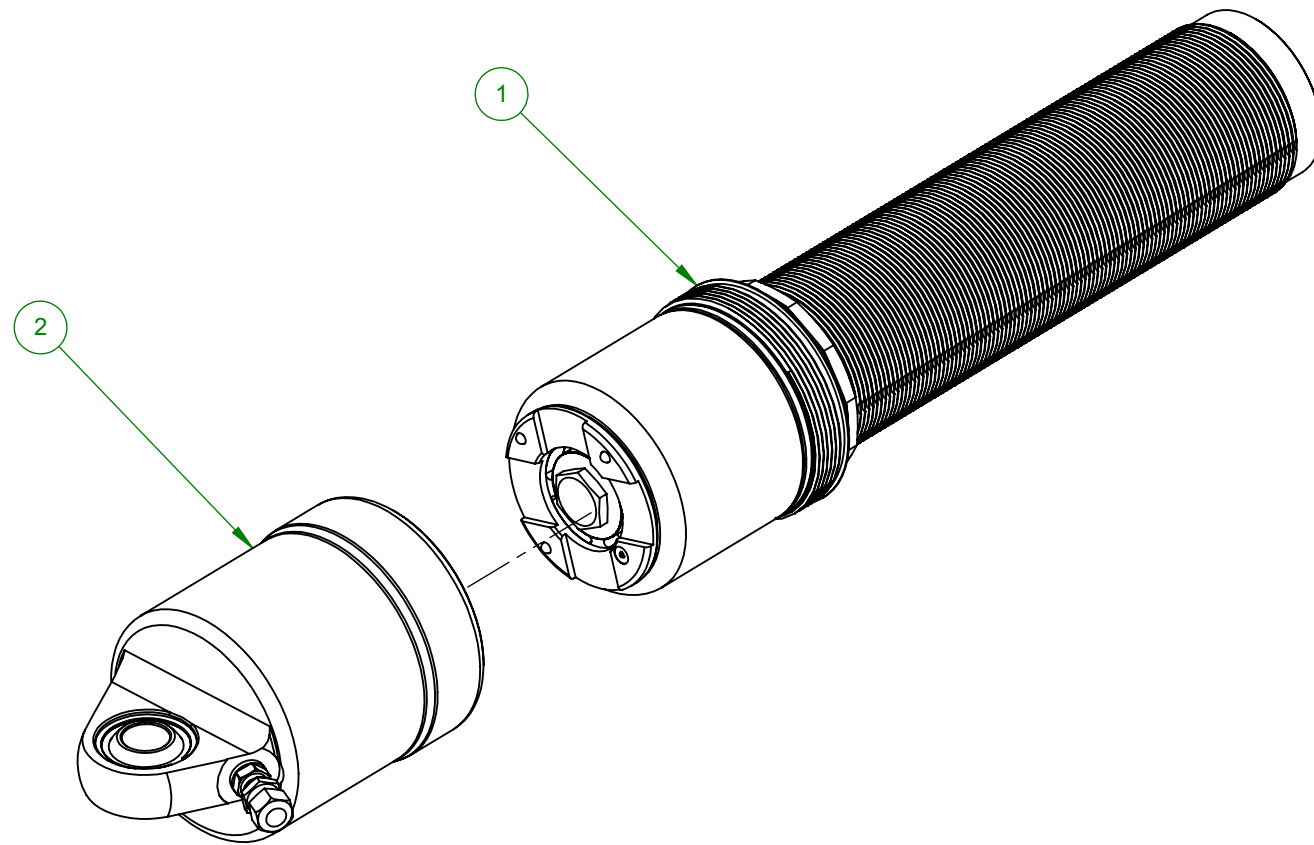
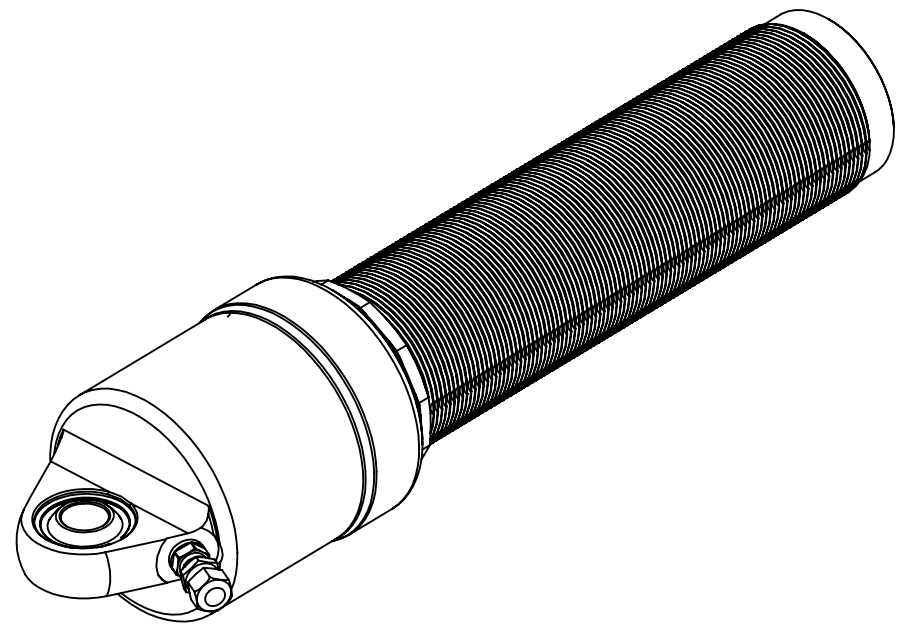




REVISIONS					
ZONE	REV.	DESCRIPTION	DATE	APPROVED	EPCN NO.
	A	ASSEMBLY CREATED	4/8/2019	KWK	



ITEM NO.	PART NUMBER	PART DESCRIPTION	QTY.
1	310 60080-XX	BLADDER BASE ASSEMBLY	1
2	310 60081-50	END CAP ASSEMBLY, IDA	1

WEIGHT (lbs)	1.554
S.A. (in ²)	321.403

PART DESCRIPTION			
BASE ASSEMBLY, IDA			
MATERIAL			
RELATIVE TO COMPONENTS			
DWG. NO	DRAWN BY	APPROVAL	
310 60040-XX	EKM	KWK	
SIZE	SCALE	SHEET	REV
B	1:2	1 OF 1	A

BREAK EDGES .010 +/- 0.005" X 45°, FILLET RADII 0.010" +/- 0.005"
 TOLERANCES (UOS): .XX +/- .01", .XXX +/- .003", ANG +/- 0.5°

ALL SURFACE FINISHES TO BE Ra 64 OR BETTER UNLESS OTHERWISE SPECIFIED.

THIS DRAWING, INFORMATION, AND TECHNICAL DATA CONTAINED WITHIN ARE THE EXCLUSIVE PROPERTY OF INTEGRA SHOCKS AND SHALL BE RETURNED UPON REQUEST. THIS DRAWING IS NOT TO BE REPRODUCED IN WHOLE OR IN PART, NOR SHALL ANY INFORMATION OR TECHNICAL DATA BE SUPPLIED, IN ANY FORM, TO ANYONE ELSE WITHOUT THE EXPRESS WRITTEN CONSENT OF INTEGRA SHOCKS.

5

4

3

2

1

E

D

C

B

A

E

D

C

B

A