

5

4

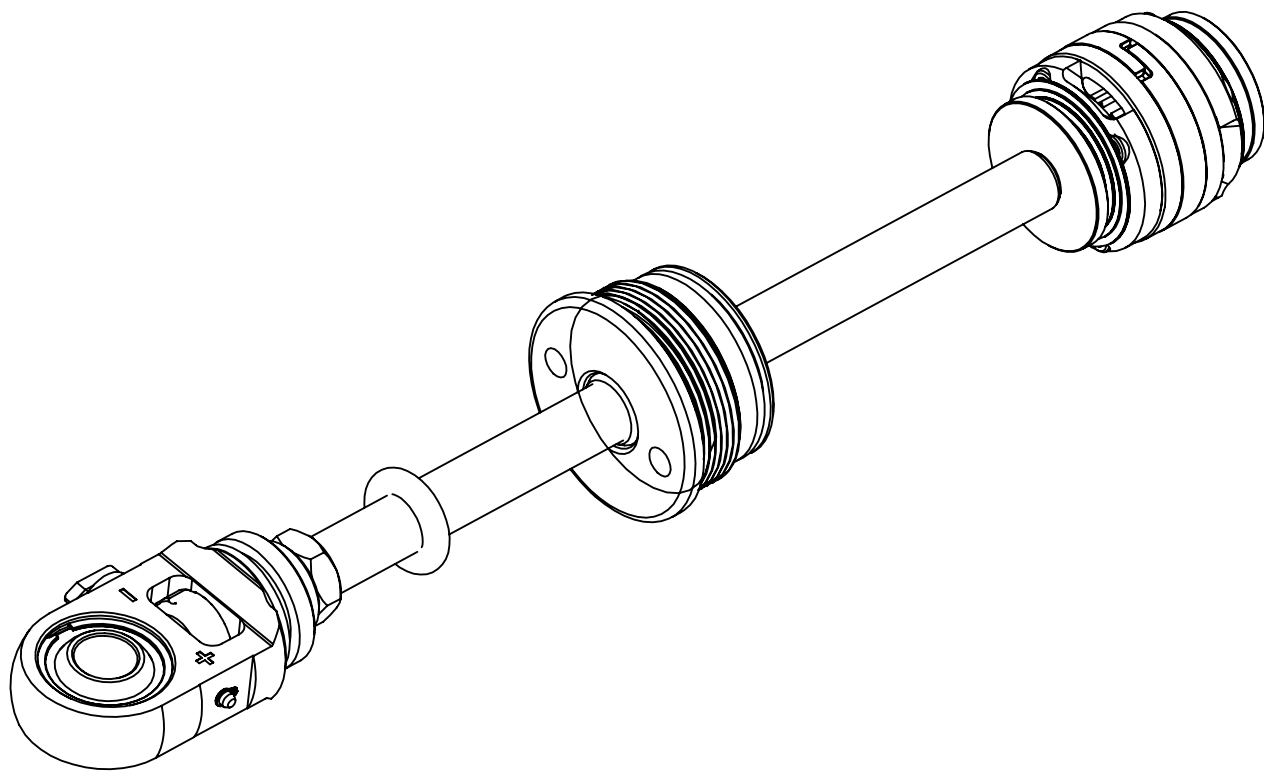
3

2

1



REVISIONS					
ZONE	REV.	DESCRIPTION	DATE	APPROVED	EPCN NO.
	A	ASSEMBLY RELEASED	5/19/2009		



ITEM NO.	PART NUMBER	PART DESCRIPTION	QTY.
1	310 6005X-60	SHAFT ASSEMBLY, IDA	1
2	310 30396	TRAVEL LIMITER - DISC	2
3	310 60006-XX	PISTON ASSEMBLY	1
4	310 TW594020	TORQUE WASHER	5
5	310 60013	3/8 - 24 JAM NUT GR8 YZ	1
6	310 60031	ADJUSTER KNOB, IDA	1
7		REBOUND VALVE DISC STACK, IDA	1
8		COMPRESSION VALVE DISC STACK, IDA	1

WEIGHT (lbs)	1.303	PART DESCRIPTION			
S.A. (in <sup>2</sup> )	160.096	HEAD ASSEMBLY, IDA			
BREAK EDGES .010 +/- 0.005" X 45°, FILLET RADII 0.010" +/- 0.005" TOLERANCES (UOS): .XX +/- .01", .XXX +/- .003", ANG +/- 0.5°		MATERIAL			
ALL SURFACE FINISHES TO BE Ra 64 OR BETTER UNLESS OTHERWISE SPECIFIED.		RELATIVE TO COMPONENTS			
THIS DRAWING, INFORMATION, AND TECHNICAL DATA CONTAINED WITHIN ARE THE EXCLUSIVE PROPERTY OF INTEGRA SHOCKS AND SHALL BE RETURNED UPON REQUEST. THIS DRAWING IS NOT TO BE REPRODUCED IN WHOLE OR IN PART, NOR SHALL ANY INFORMATION OR TECHNICAL DATA BE SUPPLIED, IN ANY FORM, TO ANYONE ELSE WITHOUT THE EXPRESS WRITTEN CONSENT OF INTEGRA SHOCKS.		DWG. NO	DRAWN BY	APPROVAL	
		310 60041-XX	EKM	KWK	
SIZE	SCALE	SHEET		REV	
B	2:3	1 OF 2		A	

5

4

3

2

1

E

E

D

D

C

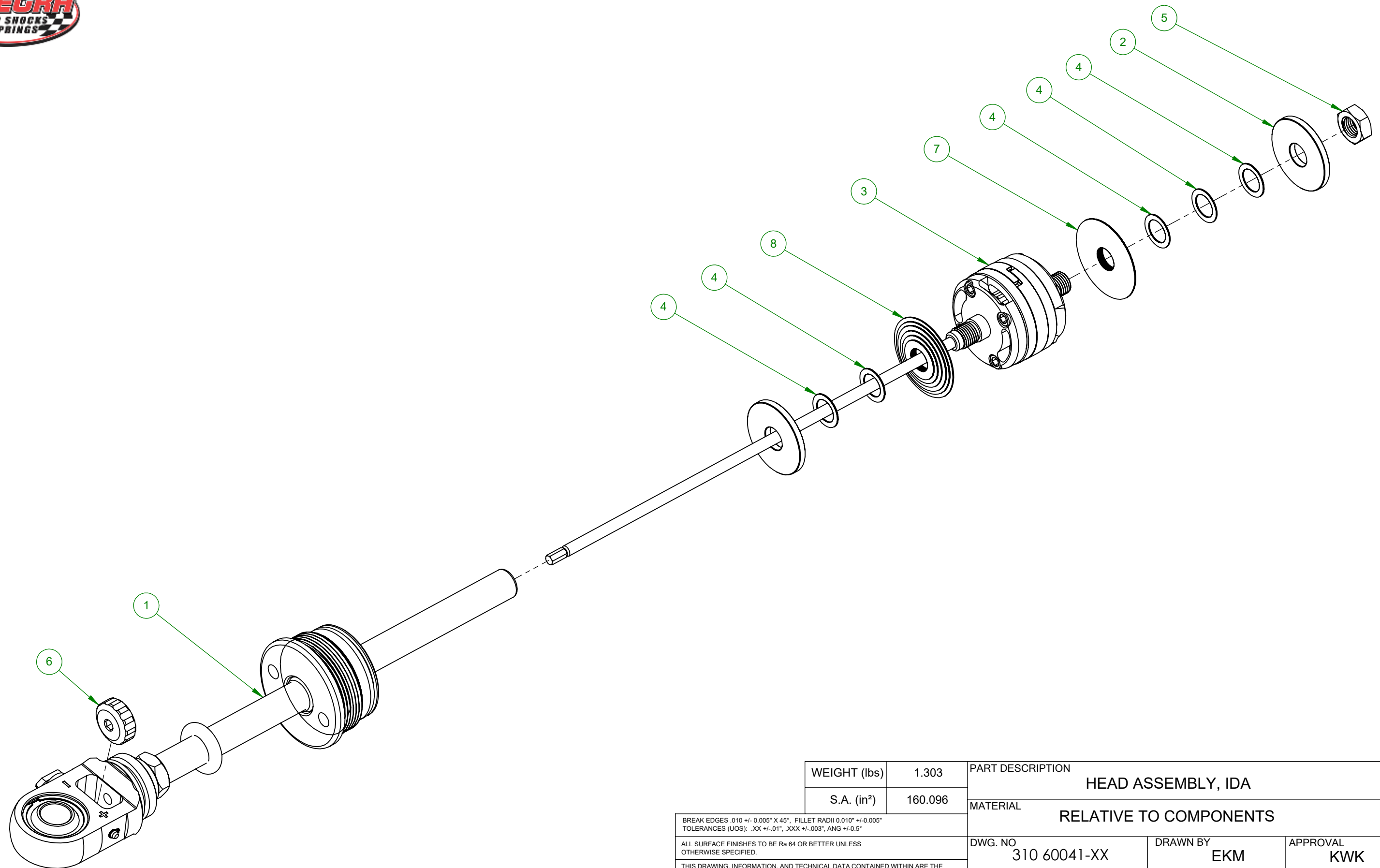
C

B

B

A

A



WEIGHT (lbs)	1.303	PART DESCRIPTION		
S.A. (in <sup>2</sup> )	160.096	HEAD ASSEMBLY, IDA		
BREAK EDGES .010 +/- 0.005" X 45°, FILLET RADII 0.010" +/- 0.005" TOLERANCES (UOS): .XX +/- .01", .XXX +/- .003", ANG +/- 0.5°		MATERIAL		
ALL SURFACE FINISHES TO BE Ra 64 OR BETTER UNLESS OTHERWISE SPECIFIED.		RELATIVE TO COMPONENTS		
THIS DRAWING, INFORMATION, AND TECHNICAL DATA CONTAINED WITHIN ARE THE EXCLUSIVE PROPERTY OF INTEGRA SHOCKS AND SHALL BE RETURNED UPON REQUEST. THIS DRAWING IS NOT TO BE REPRODUCED IN WHOLE OR IN PART, NOR SHALL ANY INFORMATION OR TECHNICAL DATA BE SUPPLIED, IN ANY FORM, TO ANYONE ELSE WITHOUT THE EXPRESS WRITTEN CONSENT OF INTEGRA SHOCKS.		DWG. NO	DRAWN BY	APPROVAL
		310 60041-XX	EKM	KWK
SIZE	SCALE	SHEET	REV	
B	2:3	2 OF 2	A	