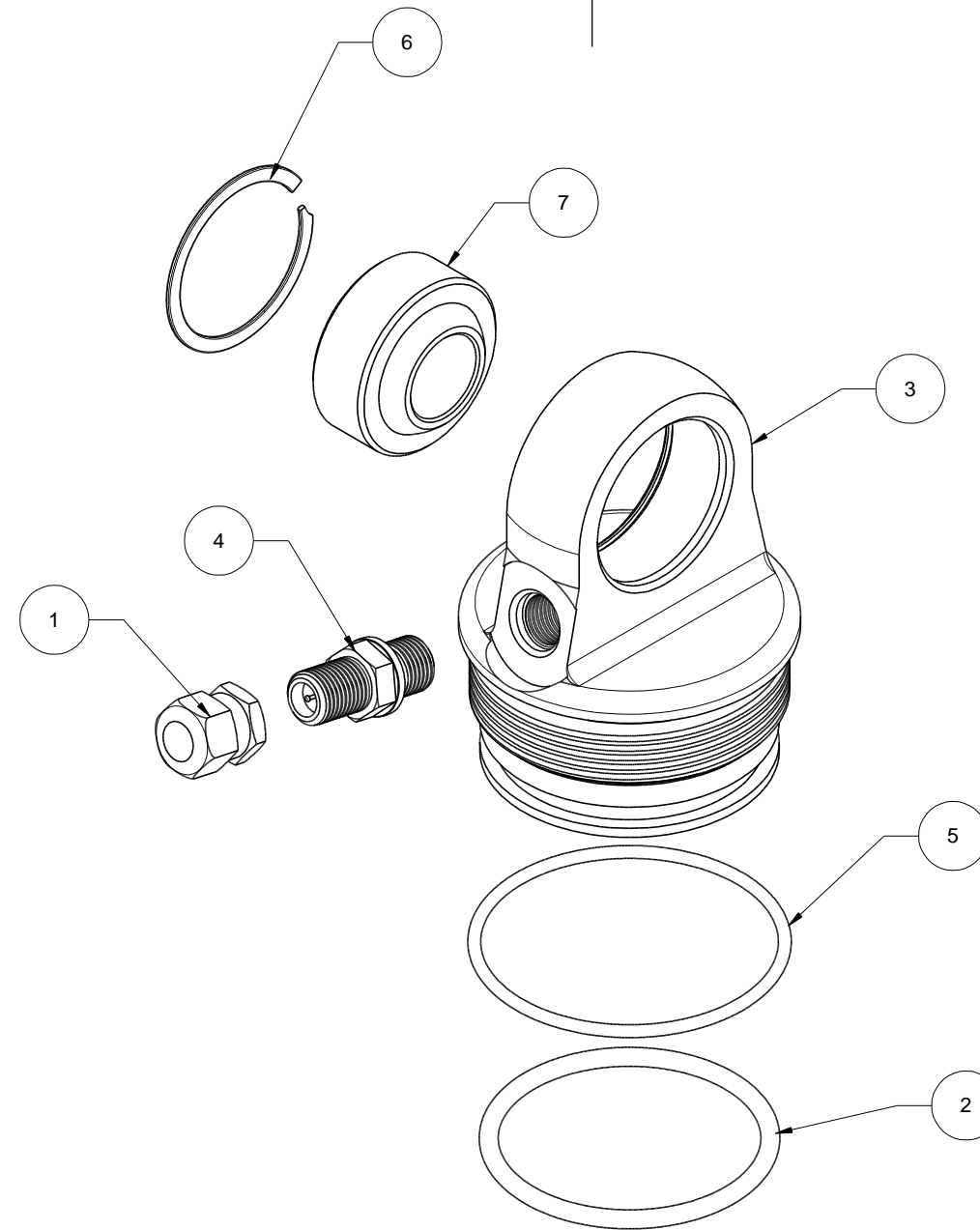




REVISIONS				
ZONE	REV	DESCRIPTION	DATE	APPROVED
	A	RELEASED	25-OCT-2012	

Item Number	Quantity	Part Number	Part Name
1	1	310 30337-2	Tank Valve Cap
2	1	310 30211	Rod Guide O-ring Primary
3	1	310 45001	End Cap, Economy Steel
4	1	310 40TKVL001312	Tank Valve
5	1	310 30210	Rod Guide O-ring Secondary
6	1	310 30328	Spherical Bearing Retaining Ring
7	1	310 30327	Spherical Bearing

ITEM NUMBER	PART NUMBER	OPTION 2
1	310 30337-2	45010
4	310 40TKVL001312	45003



PART DESCRIPTION			
AVENGER END CAP ASSEMBLY			
MATERIAL			
MATERIAL			
DRAWN BY		APPROVAL	
KWK			
SIZE	FSCM NO.	DWG NO.	REV
B		310 45001-50	A
SCALE	QUANTITY	SHEET	
1" = 1"		1 OF 1	

NOTES:

THIS DRAWING, INFORMATION, AND TECHNICAL DATA CONTAINED WITHIN ARE THE EXCLUSIVE PROPERTY OF INTEGRA RACING SHOCKS AND SHALL BE RETURNED UPON REQUEST. THIS DRAWING IS NOT TO BE REPRODUCED IN WHOLE OR IN PART, NOR SHALL ANY INFORMATION OR TECHNICAL DATA BE SUPPLIED, IN ANY FORM, TO ANYONE ELSE WITHOUT THE EXPRESS WRITTEN CONSENT OF INTEGRA RACING SHOCKS

BREAK EDGES .010 +/- 0.005" X 45°, FILLET RADII 0.010" +/- 0.005"  
 TOLERANCES (UOS): .XX +/- .01", .XXX +/- .003", ANG +/- 0.5°  
 ALL SURFACE FINISHES TO BE Ra 64 OR BETTER UNLESS OTHERWISE SPECIFIED.